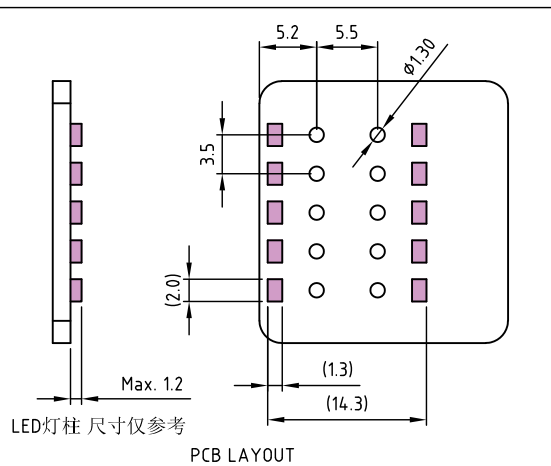
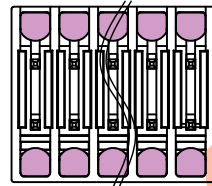
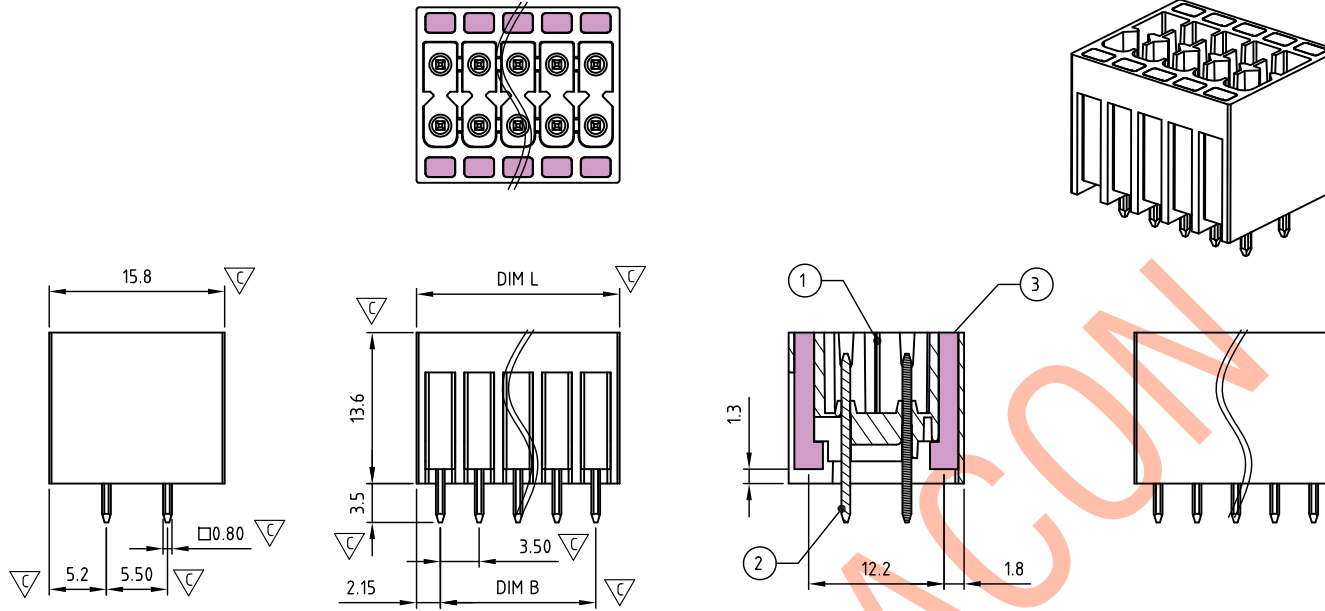


Transfer or duplication of this document as well as the utilisation or communication of its content are not permitted unless express consent is granted. Violations give rise to claims for damages. All rights reserved in case of patent, utility model or design patent registrations.



Technical data

- Nominal voltage: 300V/8A
PITCH:3.5mm
- Insulation Withstanding Voltage:
AC 1600V/MIN
- Insulation Resistance:
1000MΩ or more at DC500V
- Using temperature range:-40C°~115C°
Soldering temperature:250±5C°/5s
- Undimensioned Tolerances:

Dim.L=(P-1)x3.5+4.3		
Dim.B=(P-1)x3.5		
P=1/2 Number of poles (12-26P)		
	Dim B	Dim L
0-30mm	±0.15	±0.20
over 30mm-60mm	±0.20	±0.25
over 60mm-90mm	±0.25	±0.30
over 90mm	±0.30	±0.40

- Safety approval:
- RoHS Compliance
- Critical dimension: ∇

HGBV350 xx x A0x
①②③

- ① Poles 12-26(2x6P-2x13P)
- ② Color
0 Black 5 Green
- ③ Custom
A00 K MARK A0K KUNACON MARK

REV	SIGN	DESCRIPTION	CHK.	DATE

3	LIGHT GUIDE	PC			P
2	PIN	COPPER			P
1	BODY	PA66 UL94V-0		ALL COLOR	1
ITEM	NAME OF PART	MATERIAL	NOTES	Q'TY	
DWG.	WF. Zhang	DATE 2024.08.12	UNITS: MM	SHEET: 1 OF 1	Tolerance
CHK.	WF. Zhang	DATE 2024.08.12	SCALE: NONE 2:1 (:)	REV.: A	X. ±0.50
APP.		DATE	TITLE: HG-BV350-180D Series double row header with light guide type		X.XX ±0.30
			PART NO. HGBV350xxxAxx		X* ±0.10
			DWG NO. HG-BV350-B301		X* ±1°



KUNA Contact Technology Co, Ltd
http://www.kunacon.com